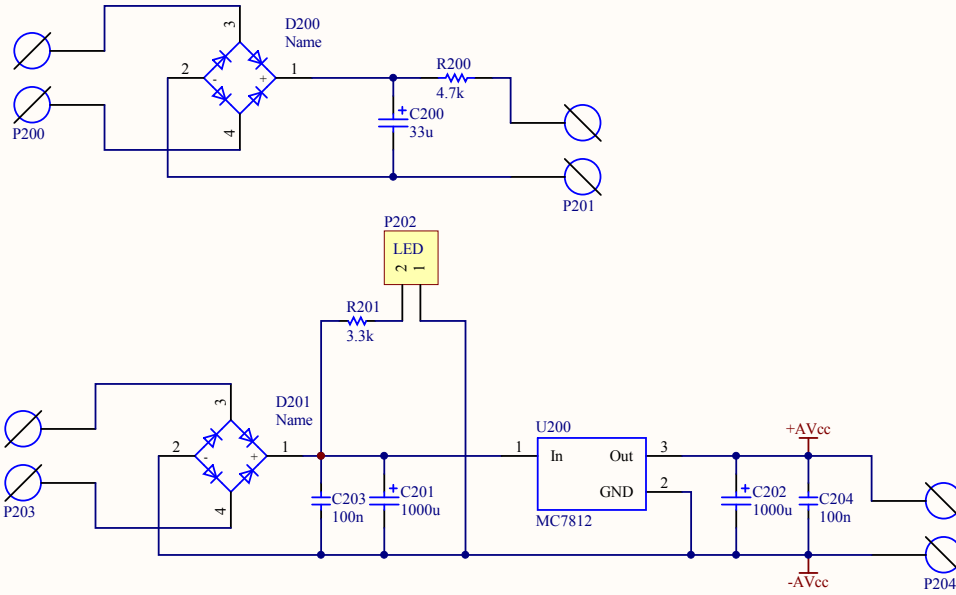
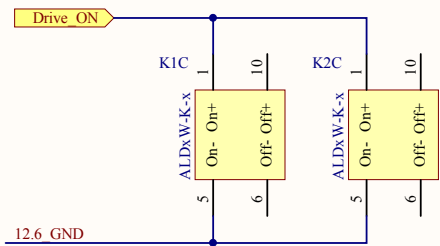
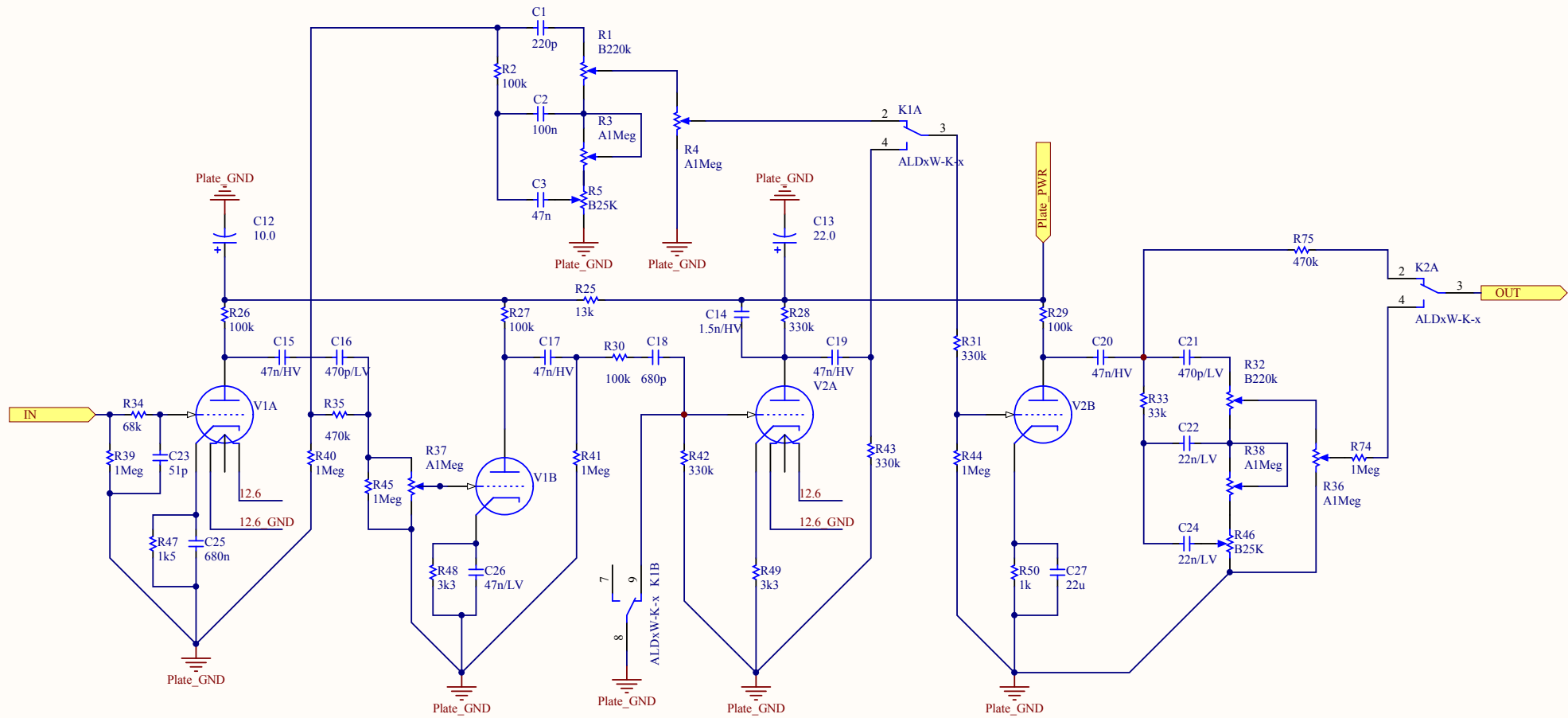


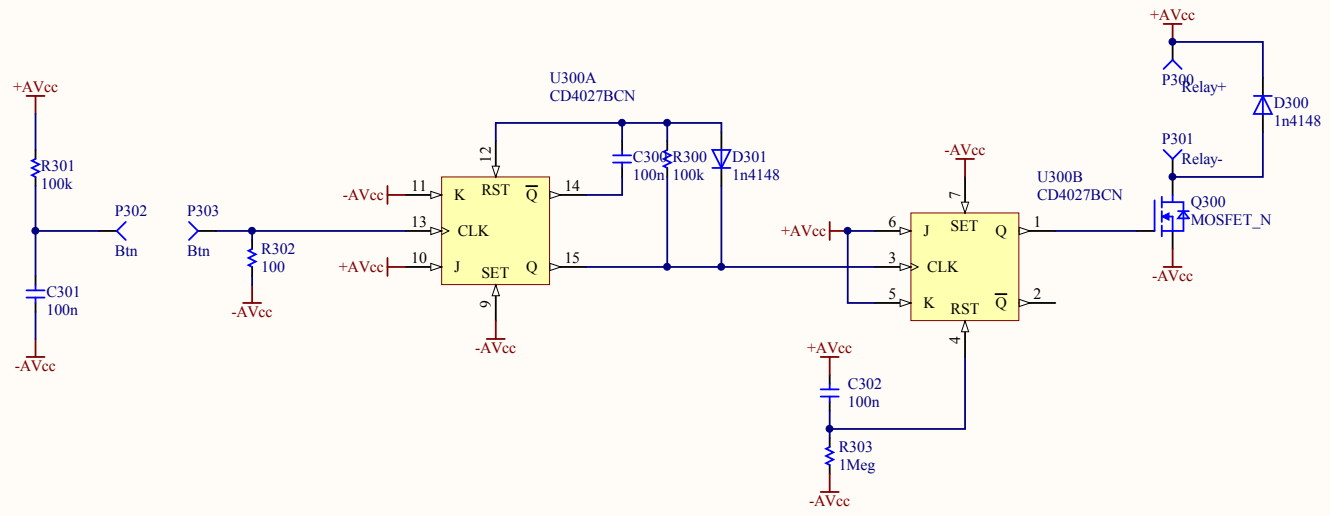
Project: Sharp: power/switch/SSim		BSVi
Sheet: *		
Sheet of	Date: 3/9/2009 Time: 9:56:04 AM	



Project: NoName		BSVi
Sheet: *		
Sheet of	Date: 3/9/2009 Time: 9:56:04 AM	



Project: NoName		BSVi
Sheet: *		
Sheet of	Date: 3/9/2009 Time: 9:56:04 AM	



Project: NoName		BSVi
Sheet: *		
Sheet of	Date: 3/9/2009 Time: 9:56:04 AM	