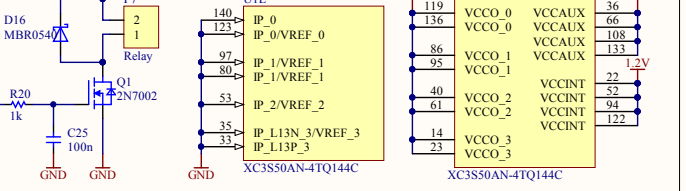
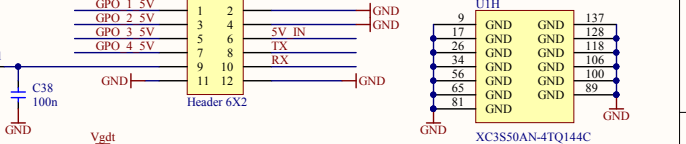
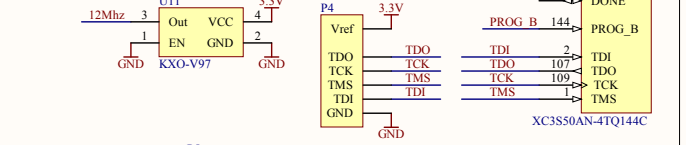
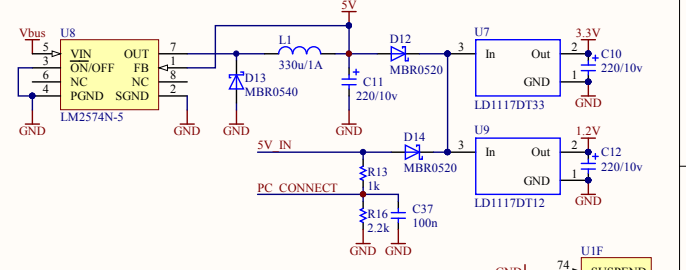
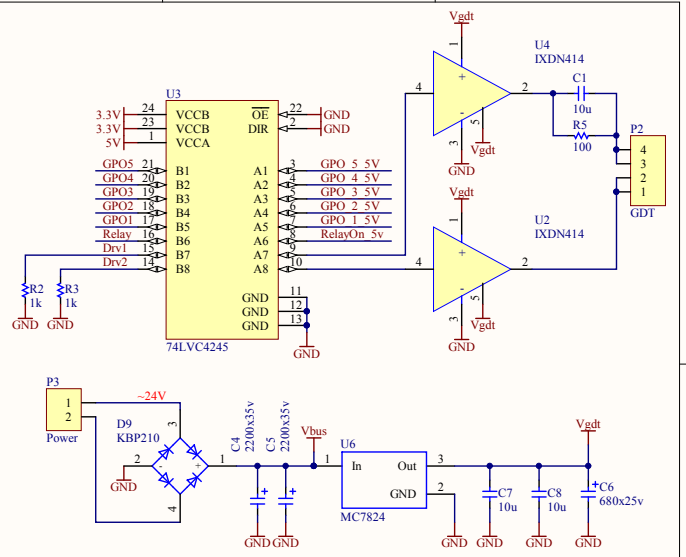
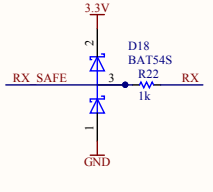
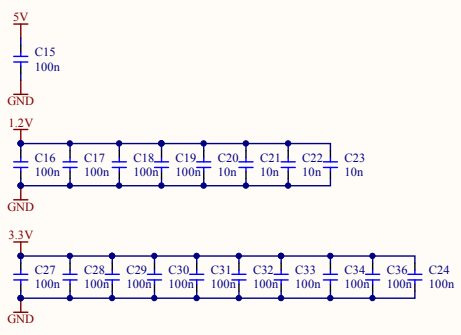
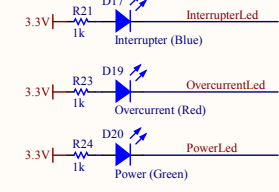
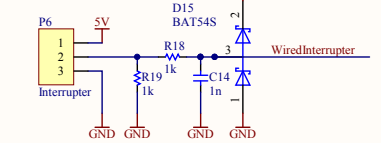
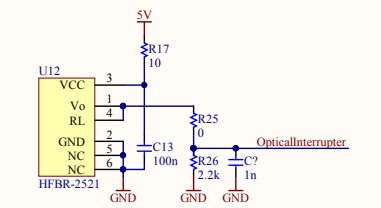


Log: 1 if Vbus > 26.8V



<b>Project: driver.PrjPcb</b>		<b>BSVi</b>
Title: TCK		
Sheet 1 of 2	Date: 08.07.2012 Time: 9:09:53	