

<b>Project: NoName</b>		<b>BSVi</b>
Sheet: *		
Sheet of	Date: 12/15/2009 Time: 4:38:05 PM	

1

2

3

4

A

A

B

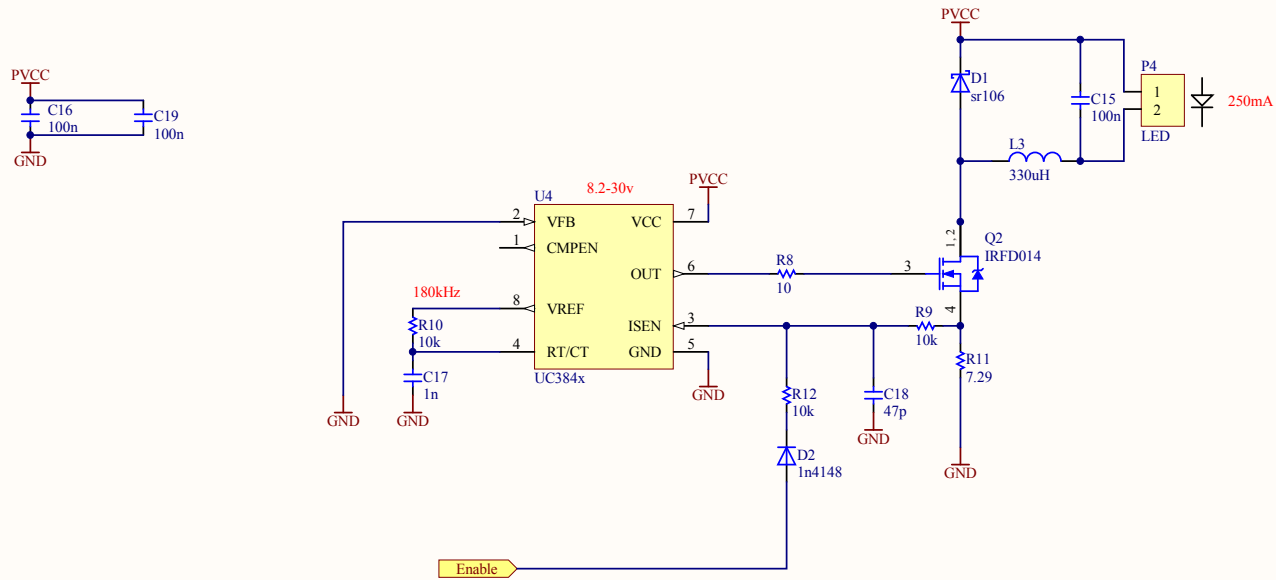
B

C

C

D

D



<b>Project: MoodLamp</b>		<b>BSVi</b>
Sheet: *		
Sheet of	Date: 12/15/2009 Time: 4:38:05 PM	

1

2

3

4