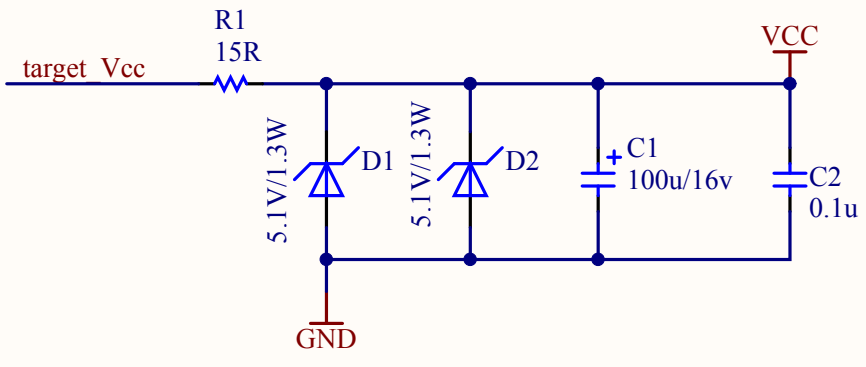
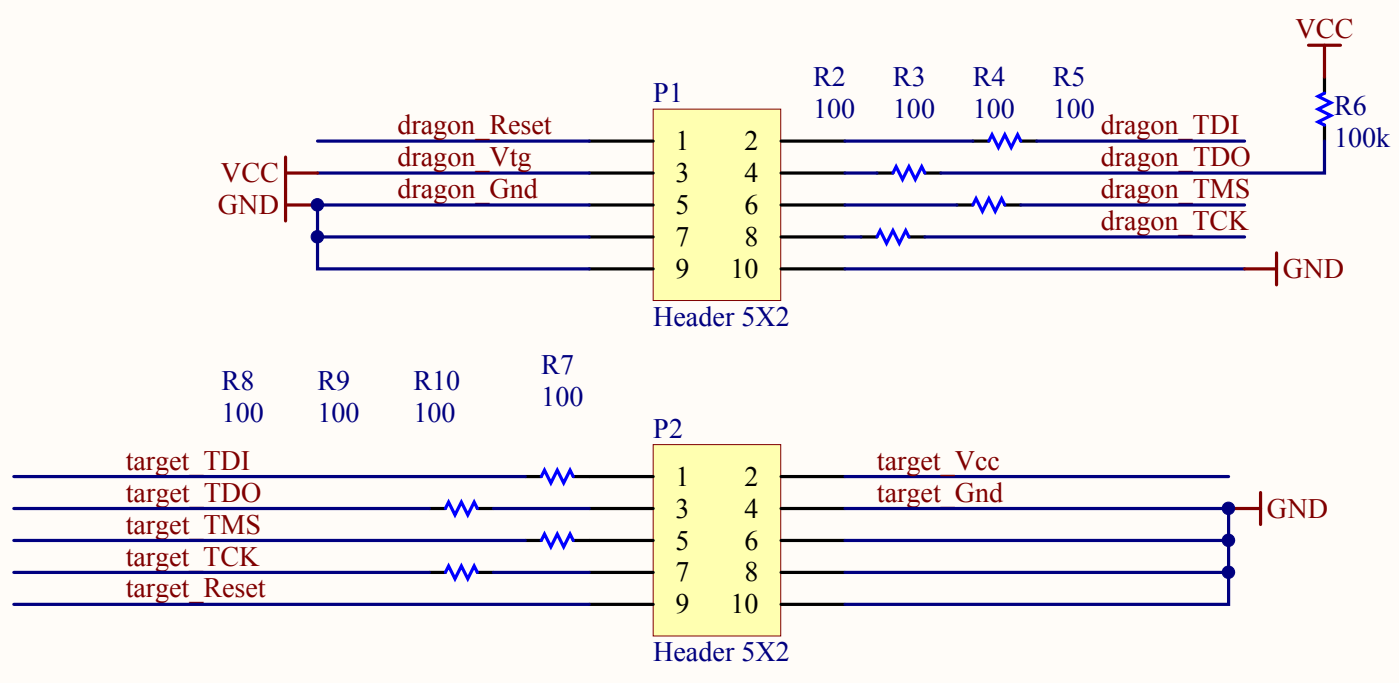


A



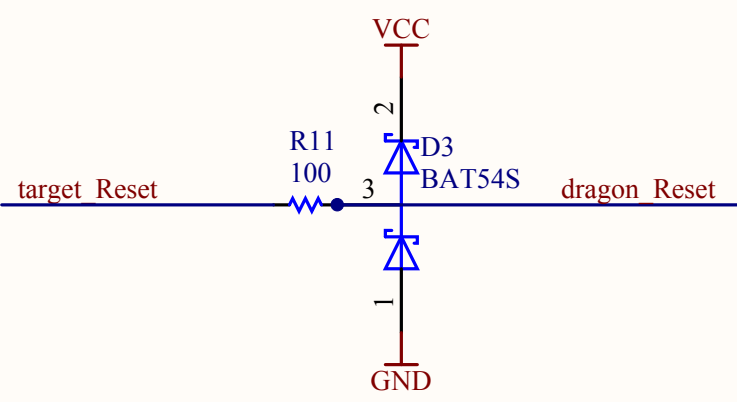
A

B



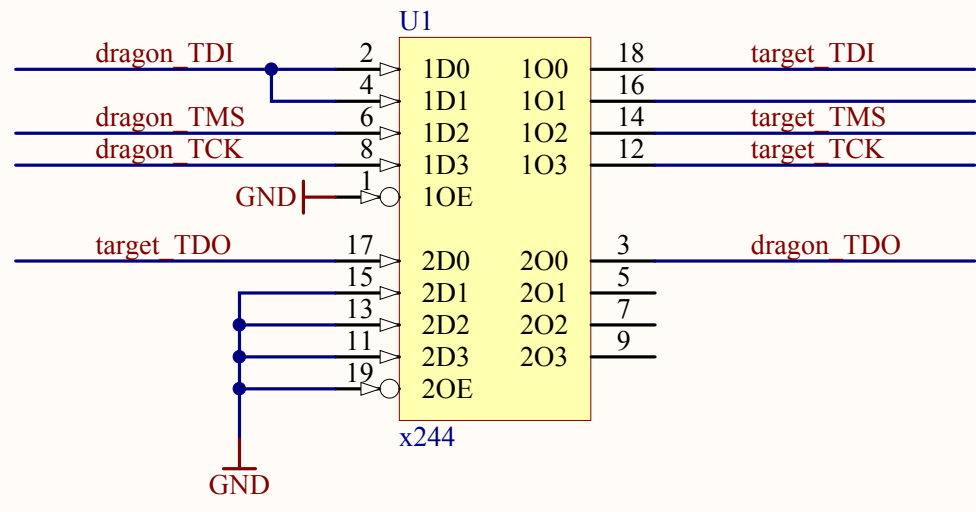
B

C



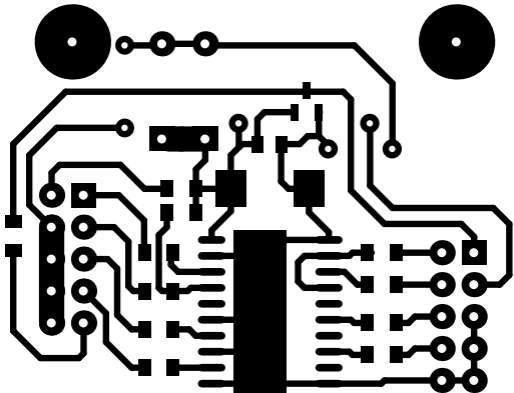
C

D



D

Project: NoName		BSVi
Sheet: *		
Sheet of	Date: 12/11/2009 Time: 2:29:34 PM	



B2Vi