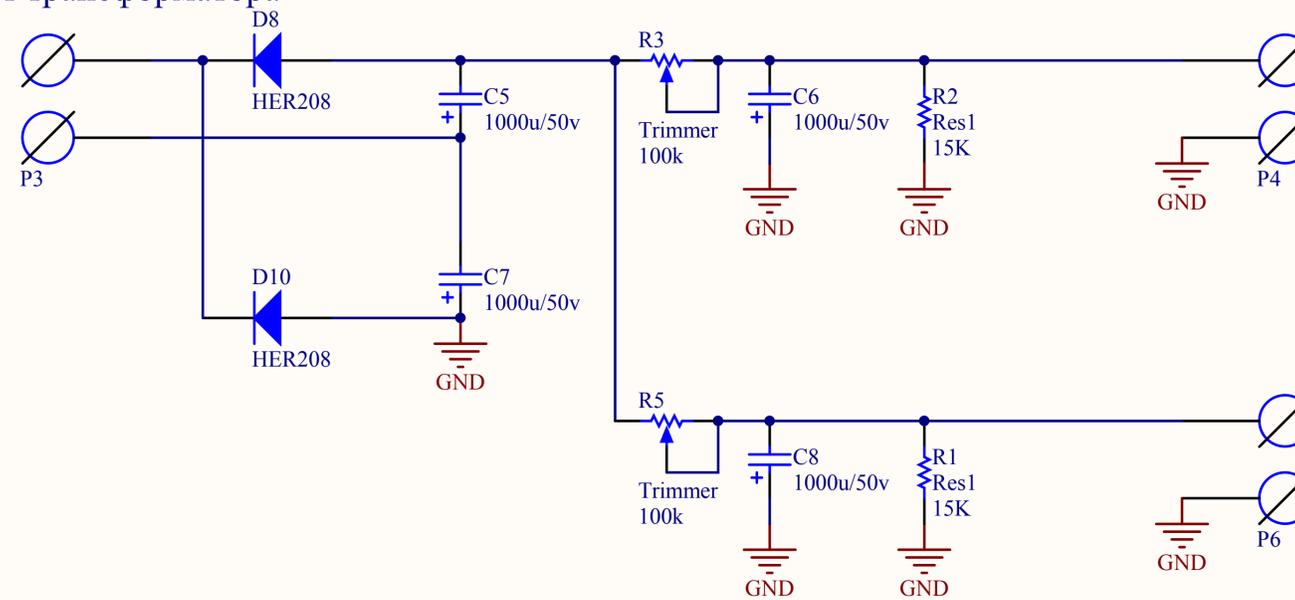


16v от трансформатора



Title		
Size	Number	Revision
A4		
Date:	19.03.2008	Sheet of
File:	F:\6φ3п\stab\bias_regulator.SchDoc	Drawn By: