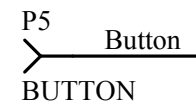
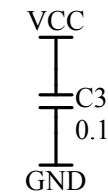
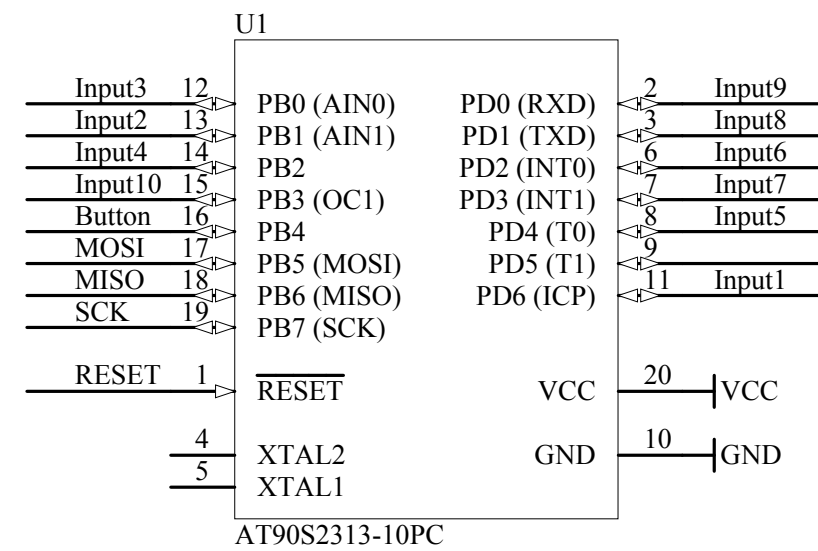
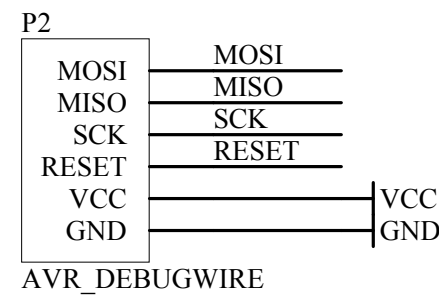
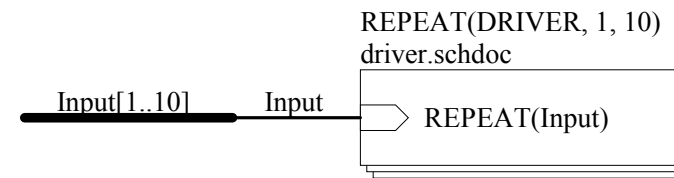
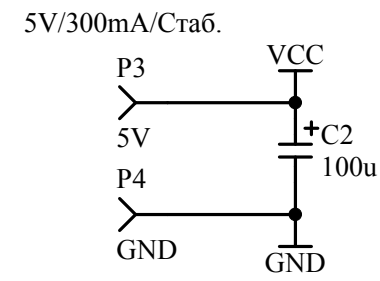


Project: NoName		BSVi
Sheet: *		
Sheet of	Date: 04.03.2011 Time: 17:19:35	



Project: NoName		BSVi
Sheet: *		
Sheet of	Date: 04.03.2011 Time: 17:19:35	

